

ONE Datasheet

01/07/2017

User

Max. user weight : 120kg

Specification of the wheelchair

Type of armchair: Rigid or foldable armchair
(Consult your reseller)

Tube diameter (specify):

Round : 20mm, 25mm, 30mm

Ovals : 27x32,5mm and 25x35mm

Capability

Speed : between 4 and 10km/h

Obstacle crossing (Go up): kerb of standardized height

Obstacle crossing (Go down): kerb of standardized height

Max climbing angle: 10%

Turning Radius: 45°

Technical

Motors: 250W

Battery Lithium-Ion : 178 Wh - 24V - 7 Ah – 0,825 kg - (transportable by plane)
356 Wh - 24V - 14Ah - 1,650 kg - (Option)

Battery life : Between 10km and 15 km (depending on inclination and speed)
Between 20km and 25 km (depending on inclination and speed)) (Option)

Charge time: 3h00 to 80% (4h30 to 100%)
6h00 to 80% (9h00 to 100%) (Option)

Wheels : 8 inches (20cm), inflatable wheel

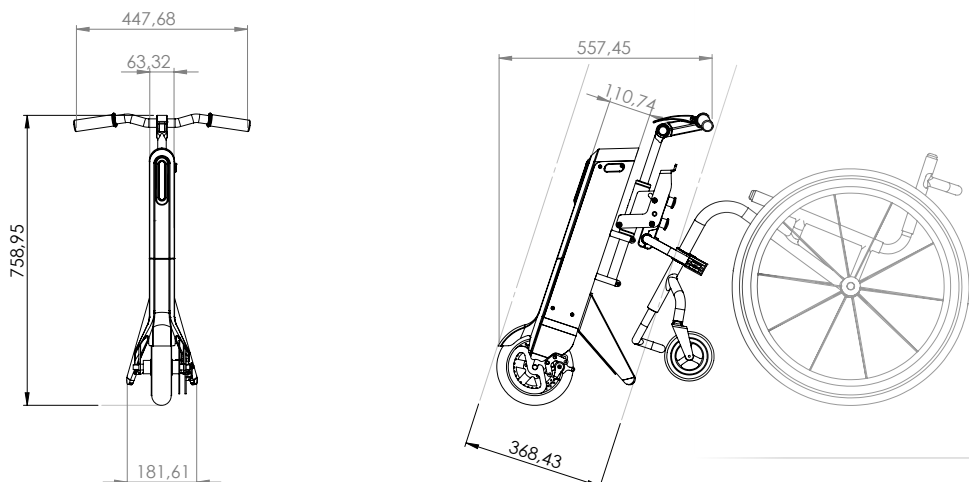
Weight : 9,850kg (with battery)

Structural Material: Aluminium frame and ABS-PC shell

Indicator : Battery indication

Brake : Brake disc 140mm with hydraulic brake Shimano

General dimensions



Transport dimensions

One (original packaging): 980x490x240mm

One only : 880x370x450mm

One with foldable handlebar : 880x370x190mm

Standard Colors

Black / Red

Black / Blue

Black / Green



Options

- High capacity battery 24v 14ah 356Wh
- Foldable handlebar
- Reinforced crutches

Accessories

- Charger
- Structural bar (2 sizes available)
- Positioning stop rings
- Clamps for structural bar
- Type of spacers: 20mm, 25mm, 30mm ; and ovals: 27x32,5mm and 25x35mm

Guarantee

24 months parts and labor
(except for the wear parts)

Medical Device 93/42/EEC